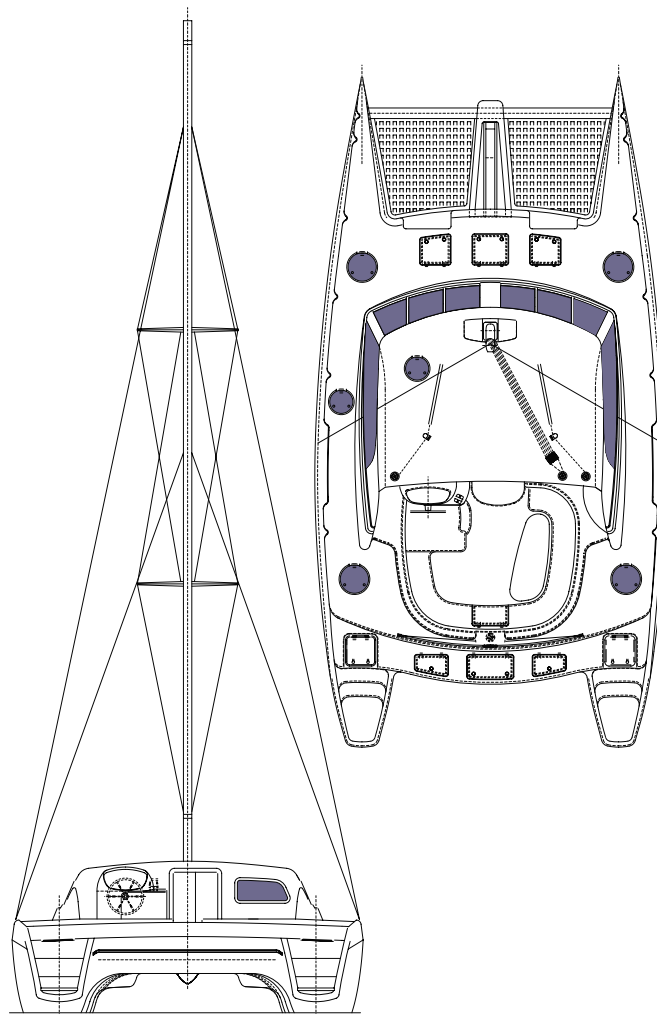
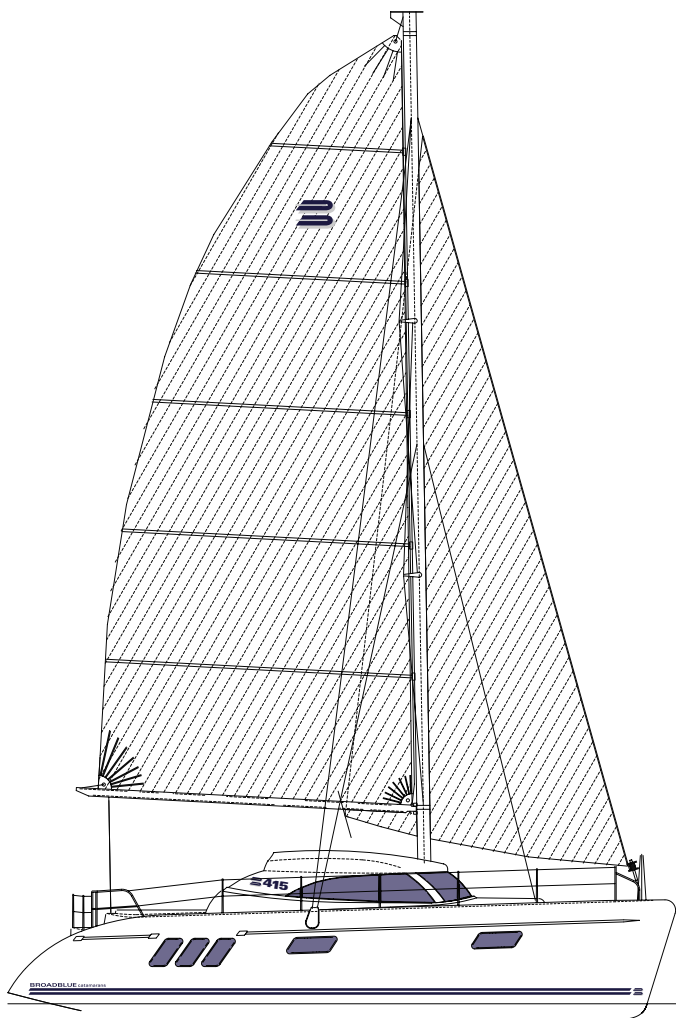




BROADBLUE
catamarans

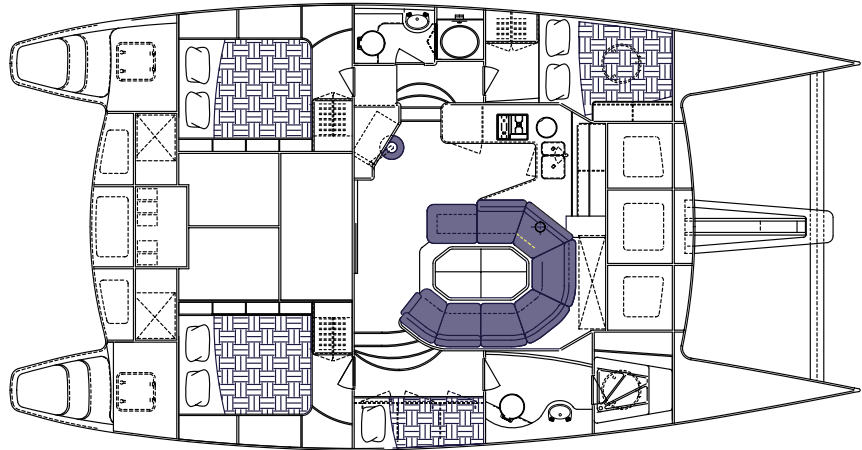
415

STANDARD
SPECIFICATION

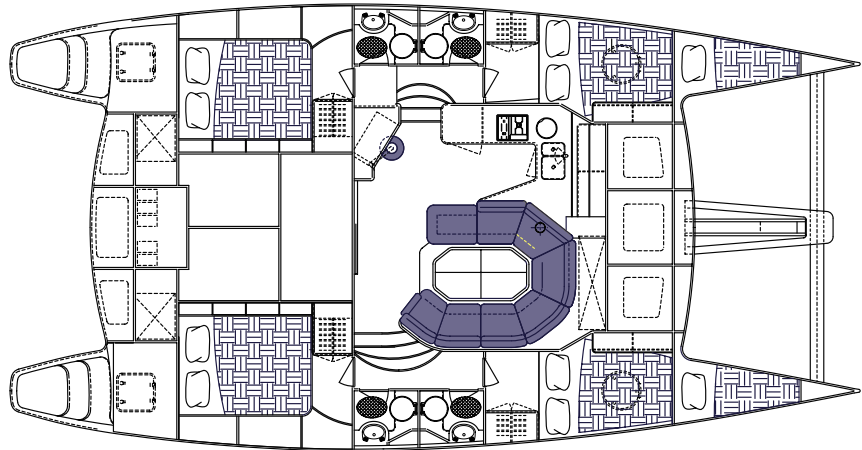


415

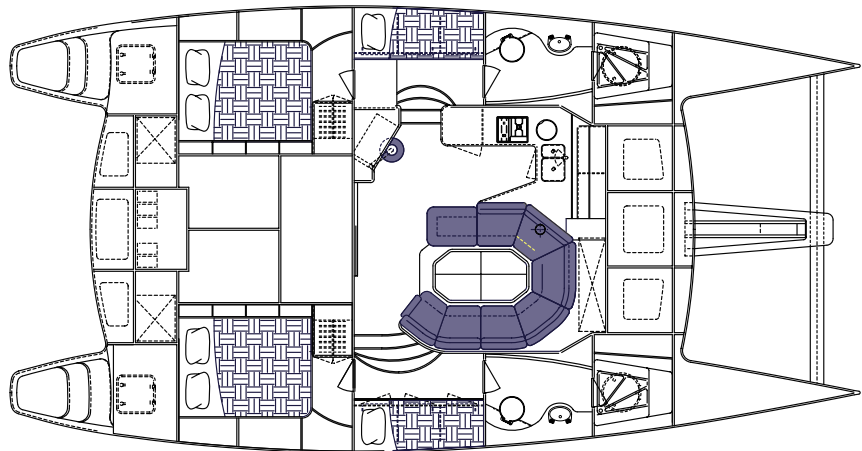
SAIL PLAN



STANDARD
LAYOUT



CHARTER
LAYOUT



TWINSTATE
LAYOUT



1 Wherry Lane Neptune Marina Ipswich Suffolk United Kingdom IP4 1LG
Telephone +44 (0)1473 286 436 Facsimile +44 (0)1473 286 385 Email sails@broadblue.co.uk

www.broadblue.co.uk